



Retractable Screens for
LARGE OPENINGS | DOORS | WINDOWS

 **PHANTOM**
SCREENS
experience the moment

table of contents

INTRODUCTION 01

LARGE OPENINGS 02

- EXECUTIVE 04
- Applications 05
- Customization 06
- Controls and Automation 08
- Specifications 10

DOORS 12

- LEGACY 14
 - Applications 15
 - Customization 16
 - Specifications 17
- PROFESSIONAL 18
- Applications 19
 - Customization 20
 - Specifications 21

WINDOWS 22

- SERENE 24
 - Applications 25
 - Customization 26
 - Specifications 27
- PRESTIGE 28
- Applications 29
 - Customization 30
 - Specifications 31



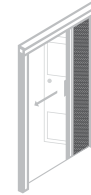
experience the moment

HIDES
SIMPLY

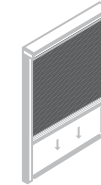
OPENS
SMOOTHLY

CLOSES
SECURELY

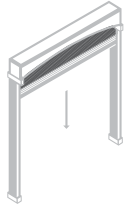
*Phantom provides
retractable screens for*



DOORS



WINDOWS



**LARGE
OPENINGS**

Since 1992, Phantom Screens has expertly manufactured and professionally installed industry leading retractable screens in North America.

Known for superior quality and elegant design, Phantom Screens enables homeowners to experience a new level of comfort, style and versatility.

BENEFITS

- Allows full ventilation
- Maintains décor and view
- Expands your living space
- Protects against UV rays and insects
- Integrates seamlessly into your home
- Professionally installed
- Backed by a limited lifetime warranty





LARGE OPENINGS

Imagine having motorized screens that disappear at the touch of a button. Or being able to screen a folding glass wall. Imagine being able to move seamlessly between indoor and outdoor spaces – without the intense glare of the sun or annoying mosquitoes. You can, thanks to Phantom's retractable screens for large openings. With Phantom Screens, outdoor living is an insect-free pleasure and summer entertaining at home is easy!

— PHANTOM —
Executive[™]
Retractable Screens[™]

*The motorized retractable
screen for large openings*

FEATURES

- Retracts vertically
- Weighted slidebar
- Various mesh and color options
- Optional sun and wind sensors
- In-wall or hand-held remote controls

BENEFITS

- Solar shading
- Insect protection
- Fresh air ventilation
- Lower air conditioning costs

INSTALLATION OPTIONS

- Surface mount
- Recessed into walls, columns
and ceiling cavities



Applications

Executive screens are custom made and professionally installed to fit a wide variety of large openings.

ADDITIONAL APPLICATIONS

Large picture windows

Folding walls

Lift and slide door systems

Patios



Verandas/Lanais



Porches



Balconies



Customization

FINISHES

Designer Colors

Choose from one of nine designer colors or decorative wood grain finishes.



CLASSIC WHITE **SLIVERED ALMOND** **SANDAL WOOD** **DRIFTWOOD BEIGE** **HARTFORD GREEN** **RIDEAU BROWN** **COASTAL GREY** **MINERAL BRONZE** **PHANTOM BLACK**

Wood Grain



LIGHT KNOTTY PINE **LIGHT FIR** **LIGHT OAK** **DARK KNOTTY PINE** **DARK OAK** **LIGHT CHERRY** **DARK ACACIA** **LIGHT ASH** **LIGHT CEDAR**



DARK FIR **DARK CHERRY** **DARK ASH** **DARK CEDAR** **DARK WALNUT** **MAHOGANY**

Custom Color

Phantom Screens also offers a wide range of color options including a custom color matching program to blend our screens with any color scheme.

* Please note that the appearance of the colors illustrated will differ from the actual coated samples or finished articles.

MESH

All mesh options seal out insects, reduce heat and glare as well as prevent fading of furnishings. There are 30 different mesh options to choose from. Speak with your Phantom Screens Representative to learn more.



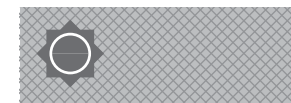
STANDARD
Reduces up to 55% of UV rays



SOLAR
Blocks up to 75% of UV rays



PREMIUM SOLAR
Blocks up to 80% of UV rays, provides significant shade and is available in multiple colors



PRIVACY
Blocks up to 100% of UV rays, available in multiple colors

ARCHITECTURAL INTEGRATION

Customized to each building project, Executive screens merge perfectly with the décor to maintain the integrity of your design. These retractable screens can be recessed from view or mounted on existing structures. Executive screens can be integrated into every type of architectural style including wood, brick, stucco, natural stone and concrete.

Recessed in Roman archways



Recessed in columns



Natural stone and wood



Stucco, brick and concrete



Controls and Automation

Phantom Screens has partnered with Somfy to provide a wide range of remote controls and sensor controls for Executive motorized retractable screens.



In addition Executive screens can be integrated into most home automation systems including Lutron and Crestron.

Hand-held Remotes

All Somfy's Telis hand-held remotes feature Radio Technology Somfy® (RTS) providing push button control. The Telis RTS collection is available in single or multiple channel versions. Each channel can be used to operate one screen or a group of screens at the same time from one remote control.



TELIS 16 CHANNEL

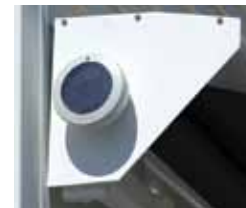
Wireless Switches

Somfy's DecoFlex WireFree™ switches are completely wireless, battery powered and available in four colors - white, ivory, black and almond.



WHITE

Sun and Wind Sensors



SUNIS SUN SENSOR

A wireless sun sensor, powered with an integrated solar cell, to automatically adjust motorized screens based on the sun's intensity.



EOLIS RTS SENSOR

A wind sensor that can be used to automatically retract your screens into their protective housings in stormy conditions.



SOLIRIS RTS SENSOR

A combined sun and wind sensor that automatically adjusts motorized screens depending on sun and wind intensity.



Specifications

Executive screens are custom fit and professionally installed for single openings as large as 25 feet wide by 16 feet tall. Refer to the chart below for maximum and minimum size dimensions.

STYLE	WIDTH	HEIGHT
4" housing	26" to 120"	Max 96"
5-1/2" housing	34" to 240"	Max 132"
7-1/8" housing	34" to 300"	Max 192"

FOR ILLUSTRATIVE PURPOSES ONLY
NOT DRAWN TO SCALE

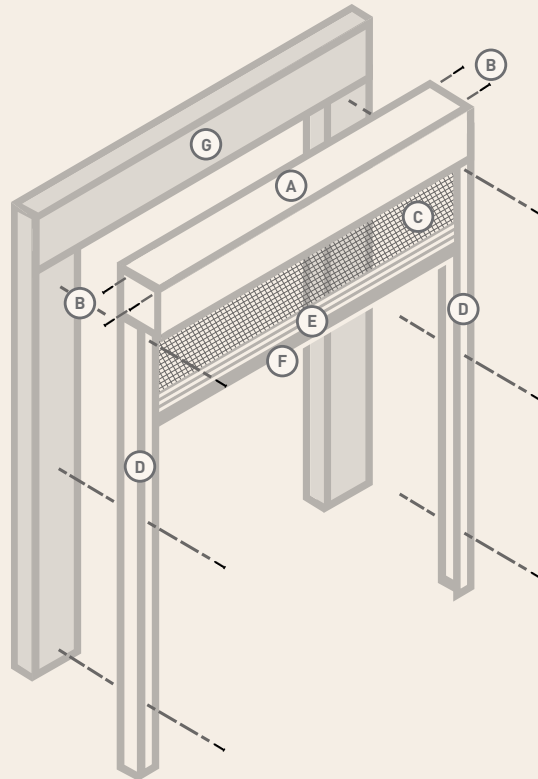
All components are color matched
except mesh and bottom seal.

SURFACE MOUNT

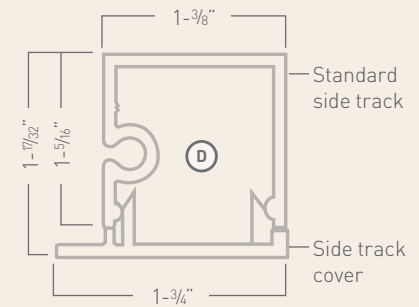
EXECUTIVE DESIGN SPECIFICATIONS SYSTEM WITH STANDARD SIDE TRACK (external assembled view)

PARTS SPECS

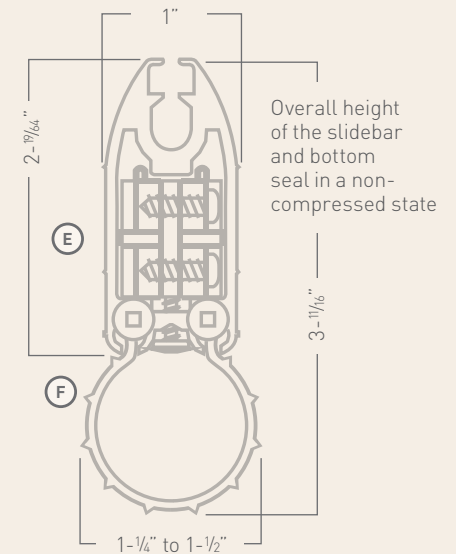
- A** Housing assembly (5-1/2" W x 5-1/2" H or 7-1/8" W x 7-1/8" H)
- B** 8 x 1" corrosion resistant fastener (color matched) 3 fasteners per end cap
- C** PVC coated fiberglass mesh or other (see mesh specifications)
- D** Standard side track complete with cover (1-3/4" W x 1-7/32" D)
- E** Slidebar complete with probe assembly
- F** Bottom seal - 4" shown (other options available)
- G** Mounting surfaces



Cross sectional view of the standard side track



Cross sectional view of the standard slidebar and 4" bottom seal



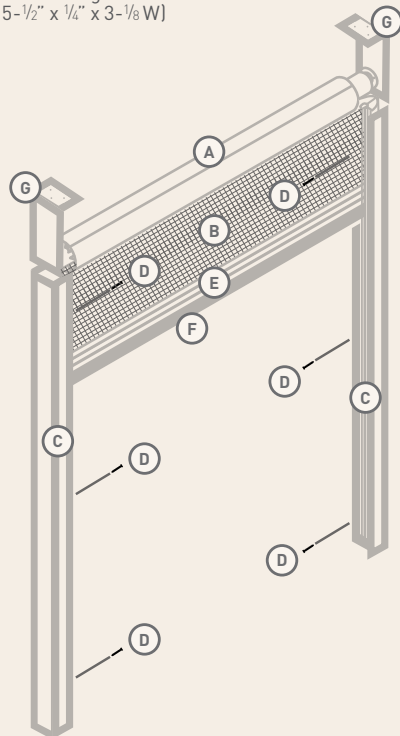
RECESSED MOUNT

EXECUTIVE DESIGN SPECIFICATIONS SYSTEM WITH RECESSED SIDE TRACK

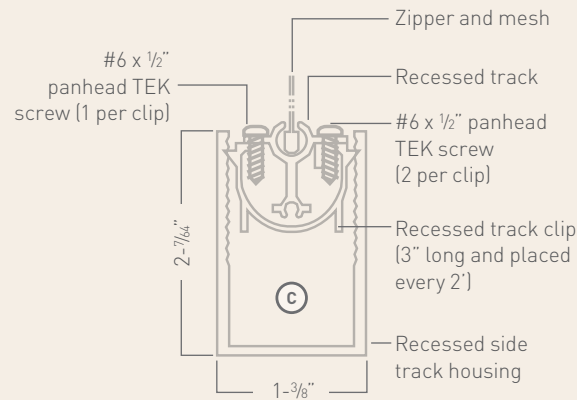
(external assembled view)

PARTS SPECS

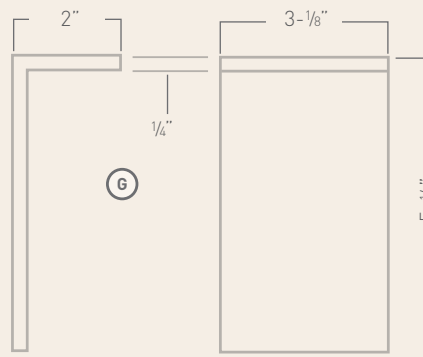
- A** Roller assembly (4" or 5") complete with inserts (left and right)
- B** PVC coated fiberglass mesh or other (see mesh specifications)
- C** Recessed side track assembly (1-3/8" W x 2-7/64" D)
- D** #8 or #10 corrosion resistant fastener. Type and length of screws may vary depending on type of mounting surface (minimum of 3 per side track and roller mounting angle)
- E** Slidebar complete with probe assembly
- F** Bottom seal - 4" shown (other options available)
- G** Roller mounting bracket (2" x 5-1/2" x 1/4" x 3-1/8" W)



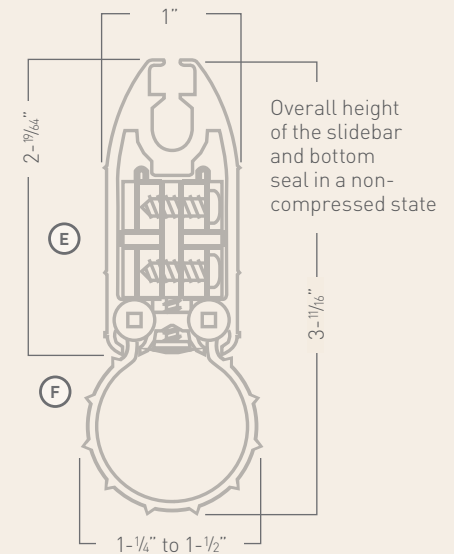
Cross sectional view of the fully assembled recessed side track



Roller mounting angle for 4" and 5" rollers



Cross sectional view of the slidebar and 4" bottom seal







DOORS

There's nothing like being able to leave your door wide open to enjoy the breeze, especially towards the end of a hot summer day. Retractable door screens by Phantom are insect screens which disappear out of sight into a discreet housing, giving you fresh air without the bugs — and won't spoil the look of your home. They come in a wide variety of colors, sizes and mesh types, perfectly matching with your décor.

— PHANTOM —
Legacy[™]
Retractable Screens[™]

The retractable screen door with an integrated Latch and Release handle

FEATURES

- Latch and Release handle
- Fits most door types
- Built-in lubricant
- Glides smoothly along tracks
- Various mesh and color options

BENEFITS

- Insect protection
- Fresh air ventilation
- Retracts out of sight
- Easy operation with secure closure

INSTALLATION OPTIONS

- In-jamb mount
- Surface mount



Applications

Legacy screens are custom made, professionally installed and designed to fit a variety of doorways.

Legacy's Latch and Release handle automatically latches the screen in the closed position to prevent it from opening in breezy conditions. It is easy to use and quiet to operate.



Double-French doors



Sliding patio doors



Single out-swing/in-swing doors



Oversized doors



Customization

FINISHES

Designer Colors

Choose from one of ten designer colors or decorative wood grain finishes.



CLASSIC WHITE CALICO LINEN SLIVERED ALMOND SANDAL WOOD DRIFTWOOD BEIGE HARTFORD GREEN RIDEAU BROWN COASTAL GREY MINERAL BRONZE PHANTOM BLACK

Wood Grain



LIGHT KNOTTY PINE LIGHT FIR LIGHT OAK DARK KNOTTY PINE DARK OAK LIGHT CHERRY DARK ACACIA LIGHT ASH LIGHT CEDAR



DARK FIR DARK CHERRY DARK ASH DARK CEDAR DARK WALNUT MAHOGANY

Custom Color

Phantom Screens also offers a wide range of color options including a custom color matching program to blend our screens with any color scheme.

* Please note that the appearance of the colors illustrated will differ from the actual coated samples or finished articles.

MESH

All mesh options seal insects out and provide some level of heat, glare and UV reduction.



STANDARD
Reduces up to 55% of UV rays



SOLAR
Blocks up to 75% of UV rays



PRIVACY
Blocks up to 90% of UV rays, available in multiple colors

Specifications

Legacy screens are custom made and professionally installed for all door types. Maximum sizes are determined by the height and width ratios detailed in the chart below.

	WIDTH	HEIGHT
SINGLE UNIT	Max 48"	78" to 100"
	Max 36"	100 1/8" to 120"
DOUBLE UNIT	Max 96"	78" to 100"
	Max 72"	100 1/8" to 120"

FOR ILLUSTRATIVE PURPOSES ONLY
NOT DRAWN TO SCALE

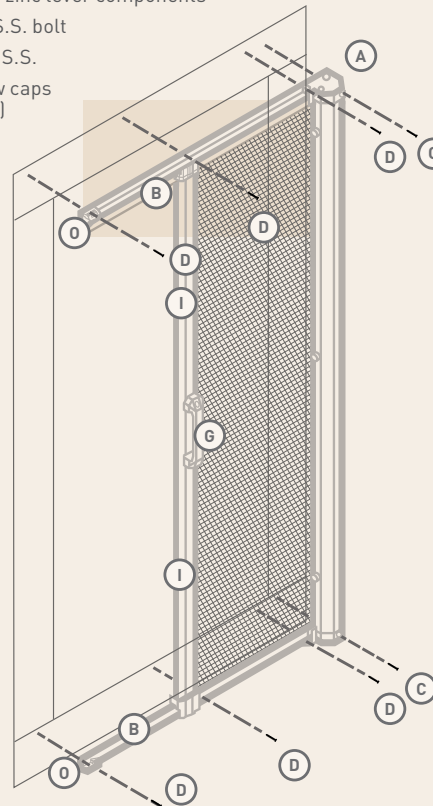
All components are color matched except mesh.

SURFACE MOUNT

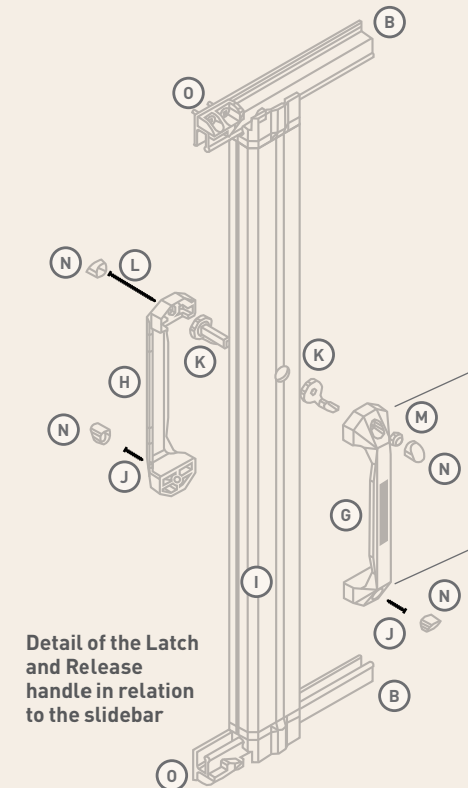
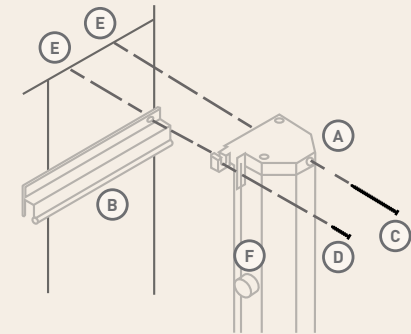
LEGACY DESIGN SPECIFICATIONS (external assembled view)

PARTS SPECS

- A** Aluminum housing complete with nylon end caps 1-7/8" W x 2-43/64" D
- B** Aluminum track
- C** #8 x 2-1/2" flathead screw
- D** #6 x 3/4" panhead screw
- E** Screws position on mounting surface
- F** Bumpons - 1/2" Ø x 1/4" H
- G** Outside nylon Latch and Release handle
- H** Inside nylon Latch and Release handle
- I** Aluminum sidebar
- J** #6 x 5/8" panhead TEK screw
- K** Nickel plated zinc lever components
- L** # 6/32 x 1-5/8" S.S. bolt
- M** # 6/32 locknut S.S.
- N** Handle screw caps (2 per handle)
- O** Track catch



Detail of track position in relation to the housing and housing end cap Head view



Detail of the Latch and Release handle in relation to the sidebar

— PHANTOM —
Professional[™]
SERIES
Retractable Screens[™]

*The retractable screen door
with a magnet latching system*

FEATURES

- Magnet latch
- Fits most door types
- Glides smoothly along tracks
- Various mesh and color options

BENEFITS

- Insect protection
- Fresh air ventilation
- Retracts out of sight
- Easy operation with secure closure
- Simple “break away” on impact

INSTALLATION OPTIONS

- In-jamb mount
- Surface mount



Applications

Professional screens are custom made, professionally installed and designed to fit a variety of doorways.

Professional's Magnet Latch

The Professional screen is held in place with magnets and “breaks away” on impact to prevent damage to the screen mesh.



Double-French doors



Sliding patio doors



Single out-swing/in-swing doors



Oversized doors



Customization

FINISHES

Designer Colors

Choose from one of ten designer colors or decorative wood grain finishes.



CLASSIC WHITE CALICO LINEN SLIVERED ALMOND SANDAL WOOD DRIFTWOOD BEIGE HARTFORD GREEN RIDEAU BROWN COASTAL GREY MINERAL BRONZE PHANTOM BLACK

Wood Grain



LIGHT KNOTTY PINE LIGHT FIR LIGHT OAK DARK KNOTTY PINE DARK OAK LIGHT CHERRY DARK ACACIA LIGHT ASH LIGHT CEDAR



DARK FIR DARK CHERRY DARK ASH DARK CEDAR DARK WALNUT MAHOGANY

Custom Color

Phantom Screens also offers a wide range of color options including a custom color matching program to blend our screens with any color scheme.

* Please note that the appearance of the colors illustrated will differ from the actual coated samples or finished articles.

MESH

All mesh options seal out insects, reduce heat and glare as well as prevent fading of furnishings.



STANDARD
Reduces up to 55% of UV rays



SOLAR
Blocks up to 75% of UV rays



PRIVACY
Blocks up to 90% of UV rays,
available in multiple colors

Specifications

Professional screens are custom made and professionally installed for all door types. Maximum sizes are determined by the height and width ratios detailed in the chart below.

	WIDTH	HEIGHT
SINGLE UNIT	Max 48" Max 36"	78" to 100" 100 1/8" to 120"
DOUBLE UNIT	Max 96" Max 72"	78" to 100" 100 1/8" to 120"

FOR ILLUSTRATIVE PURPOSES ONLY
NOT DRAWN TO SCALE

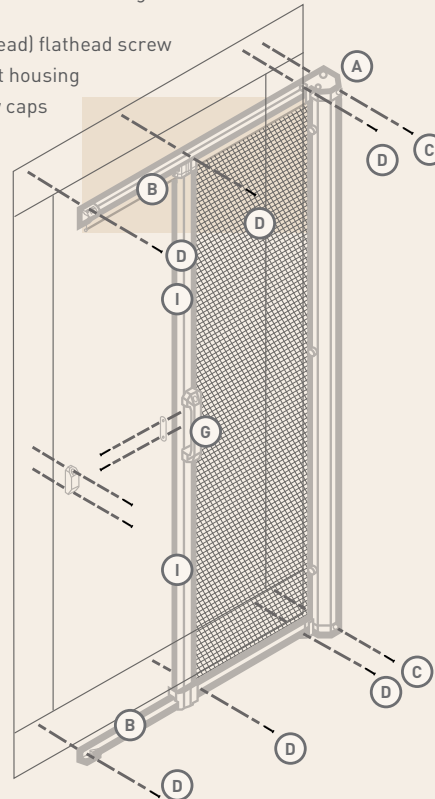
All components are color matched except mesh.

SURFACE MOUNT

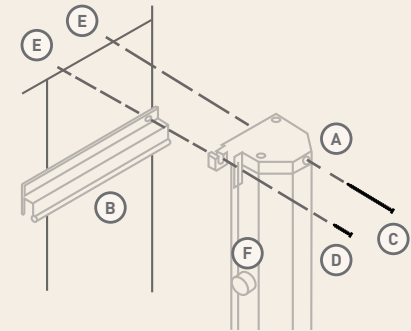
PROFESSIONAL DESIGN SPECIFICATIONS (external assembled view)

PARTS SPECS

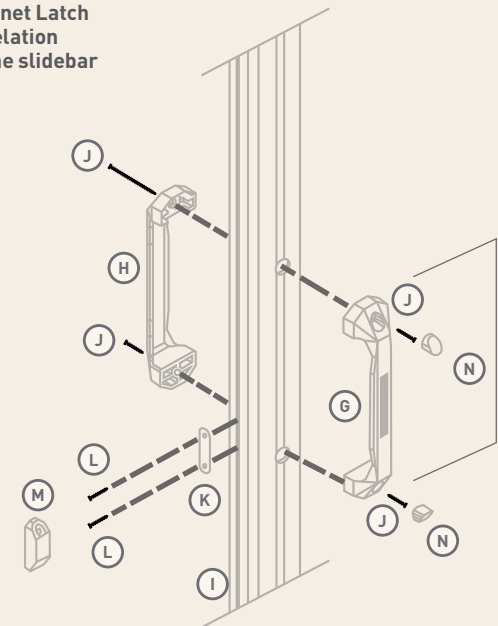
- A** Aluminum housing complete with nylon end caps 1-7/8" W x 2-49/64" D
- B** Aluminum track
- C** #8 x 2-1/2" flathead screw
- D** #6 x 3/4" panhead screw
- E** Screws position on mounting surface
- F** Bumpons - 1/2" Ø x 1/4" H
- G** Outside nylon handle
- H** Inside nylon handle
- I** Aluminum sidebar
- J** #6 x 5/8" panhead TEK screw
- K** Corrosion resistant steel magnet strike plate
- L** #6 x 3/4" (#5 head) flathead screw
- M** Nylon magnet housing
- N** Handle screw caps (2 per handle)



Detail of track position in relation to the housing and housing end cap
Head view



Detail of the Magnet Latch in relation to the sidebar







WINDOWS

The trouble with traditional fixed window screens is that they're always there—compromising your view, making window cleaning difficult and detracting from the aesthetics of your home. With Phantom's retractable window screens you can enjoy insect-free ventilation and your view. They're available for all types and sizes of windows—even custom wood windows—and can be used for insect protection or solar shading. So when your home is basking in sunshine you can fling your windows wide open and welcome the breeze!



*The retractable screen
for all window types*

FEATURES

- Built-in latch
- Mesh retention system
- Various mesh and color options
- Ergonomically designed handle

BENEFITS

- Solar shading
- Privacy
- Insect protection
- Fresh air ventilation
- Retracts out of sight
- Unobstructed views

INSTALLATION OPTIONS

- In-jamb mount
- Surface mount



Applications

Serene screens are custom made and professionally installed to fit all window types.

ADDITIONAL APPLICATIONS

Sliding
Tilt and turn

Single-hung



Double-hung



Casement



Awning



Customization

FINISHES

Designer Colors

Choose from one of eight designer colors or decorative wood grain finishes.



CLASSIC WHITE SLIVERED ALMOND SANDAL WOOD DRIFTWOOD BEIGE HARTFORD GREEN RIDEAU BROWN COASTAL GREY PHANTOM BLACK

Wood Grain



LIGHT KNOTTY PINE LIGHT FIR LIGHT OAK DARK KNOTTY PINE DARK OAK LIGHT CHERRY DARK ACACIA LIGHT ASH LIGHT CEDAR



DARK FIR DARK CHERRY DARK ASH DARK CEDAR DARK WALNUT MAHOGANY

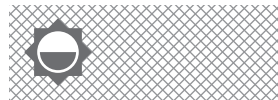
Custom Color

Phantom Screens also offers a wide range of color options including a custom color matching program to blend our screens with any color scheme.

* Please note that the appearance of the colors illustrated will differ from the actual coated samples or finished articles.

MESH

All mesh options seal out insects, reduce heat and glare as well as prevent fading of furnishings.



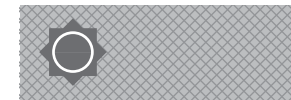
STANDARD
Reduces up to 55% of UV rays



SOLAR
Blocks up to 75% of UV rays



PREMIUM SOLAR
Blocks up to 80% of UV rays, provides significant shade and is available in multiple colors



PRIVACY
Blocks up to 100% of UV rays, available in multiple colors

Specifications

Serene screens are custom made and professionally installed for virtually any window application. Maximum sizes are determined by the height and width ratios detailed in the chart below.

	WIDTH	HEIGHT
SERENE	13 1/2" to 84"	Max 90"

NOTE: Width/Height ratio limitations may apply. Your Phantom Screens Representative will confirm suitability based on site dimensions.

FOR ILLUSTRATIVE PURPOSES ONLY
NOT DRAWN TO SCALE

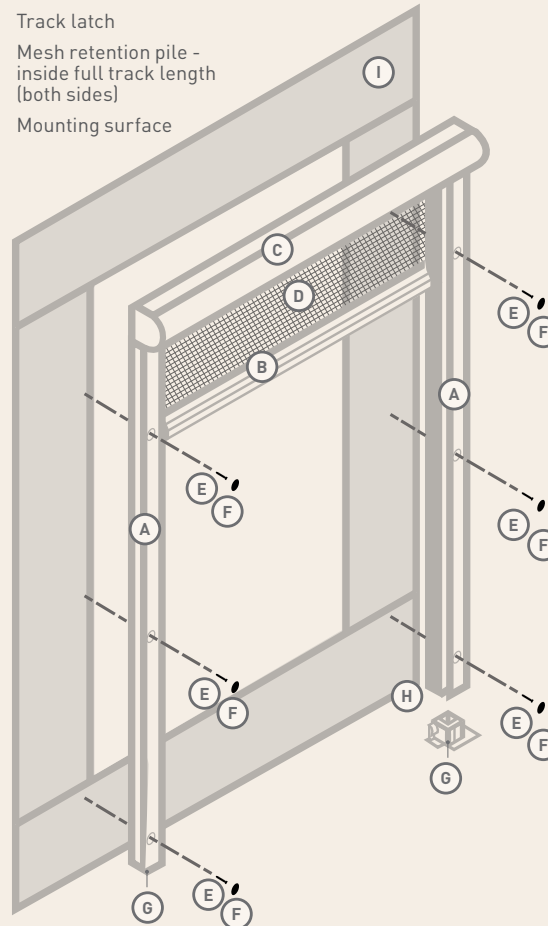
All components are color matched except the mesh.

SURFACE MOUNT

SERENE DESIGN SPECIFICATIONS
(external assembled view)

PARTS SPECS

- A** Aluminum track
Standard version - $57/64$ " W x $1-3/8$ " H
Narrow version - $57/64$ " W x $29/32$ " H
- B** Aluminum slidebar $3/32$ " W x $1-13/32$ " H
- C** Aluminum housing assembly $2-19/64$ " W x $2-7/64$ " H
- D** PVC coated fiberglass mesh
- E** Flathead screw #6 x $3/4$ " (#5 head) - depending on mounting surface
- F** Track screw hole cover
- G** Track latch
- H** Mesh retention pile - inside full track length (both sides)
- I** Mounting surface

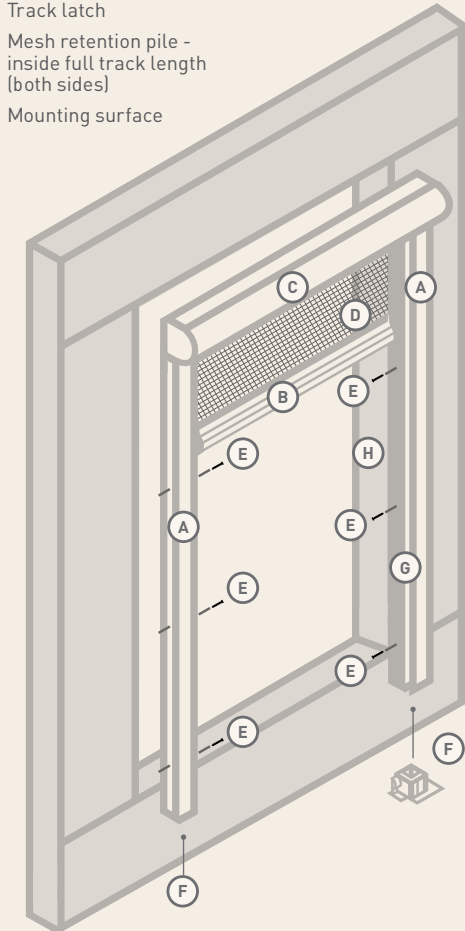


IN-JAMB MOUNT

SERENE DESIGN SPECIFICATIONS
(external assembled view)

PARTS SPECS

- A** Aluminum track
Standard version - $57/64$ " W x $1-3/8$ " H
Narrow version - $57/64$ " W x $29/32$ " H
- B** Aluminum slidebar $3/32$ " W x $1-13/32$ " H
- C** Aluminum housing assembly $2-19/64$ " W x $2-7/64$ " H
- D** PVC coated fiberglass mesh
- E** Flathead screw #6 x $3/4$ " (#5 head) - depending on mounting surface
- F** Track latch
- G** Mesh retention pile - inside full track length (both sides)
- H** Mounting surface



PHANTOM
Prestige[™]
Retractable Screens[™]

*The venerated retractable window screen
for custom wood windows*

FEATURES

Wide range of veneered wood finishes

Built-in latch

Mesh retention system

Ergonomically designed handle

Optional removable tracks

Completely stainable

BENEFITS

Insect protection

Fresh air ventilation

Retracts out of sight

Unobstructed views

INSTALLATION OPTIONS

In-jamb mount



Applications

Prestige screens are custom made and professionally installed to fit all window types.

- Single-hung
- Double-hung
- Sliding
- Awning

Casement



Customization

FINISHES

Wood Veneer

Choose from one of seven wood veneer options.



PINE

MAHOGANY

RED OAK

WALNUT

CHERRY

FIR

ALDER

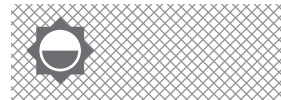
Completely Stainable

Prestige screens can be stained to match any wood grain finish, thereby allowing them to blend perfectly with your custom wood windows.

* Please note that the appearance of the colors illustrated will differ from the actual coated samples or finished articles.

MESH

Prestige screens feature BetterVue mesh which delivers insect protection with excellent visibility, making your view distinct and more vibrant.



STANDARD

Reduces up to 36% of UV rays

Specifications

Prestige screens are custom made and professionally installed for any wood window application. Maximum sizes are determined by height and width ratios detailed in the chart below.

	WIDTH	HEIGHT
PRESTIGE	18" to 72"	Max 78"

FOR ILLUSTRATIVE PURPOSES ONLY
NOT DRAWN TO SCALE

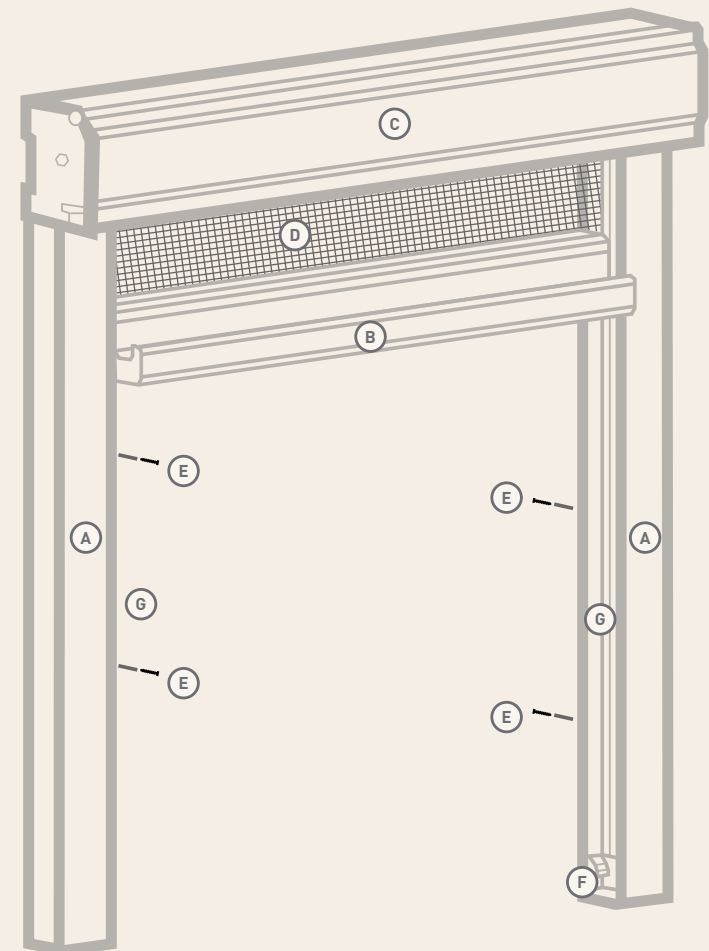
All components are color matched except mesh.

IN-JAMB MOUNT ONLY

PRESTIGE DESIGN SPECIFICATIONS (external assembled view)

PARTS SPECS

- A** Veneered aluminum track
Fixed - $\frac{7}{8}$ "W x $1-\frac{11}{32}$ "H
Removable - $\frac{7}{8}$ "w x $1-\frac{11}{32}$ "H
- B** Wooden slidebar
 $1-\frac{1}{2}$ "W x $1-\frac{13}{32}$ "H
- C** Veneered aluminum housing assembly
 $1-\frac{29}{32}$ "W x $2-\frac{1}{4}$ "H
- D** PVC coated fiberglass mesh
- E** Flathead screw #6 x $\frac{3}{4}$ " (#5 head) - depending on mounting surface
- F** Track latch
- G** Mesh retention pile - inside full track length (both sides)





*There when you need us,
enhancing your lifestyle,
making us your choice for
retractable screen solutions...
experience Phantom.*





Your Phantom Screens Representative
1.888.PHANTOM



CORPORATE OFFICE

Phantom Mfg. (Int'l) Ltd.
30451 Simpson Road
Abbotsford, BC
V2T 6C7 Canada

TF: 1.888.444.4142
Tel: 1.604.855.3654

phantom@phantomscreens.com
phantomscreens.com

USA MAIL

P.O. Box 1907
Sumas, WA
98295-1907 USA

CANADA MAIL

P.O. Box 2310
Abbotsford, BC
V2T 4X2 Canada